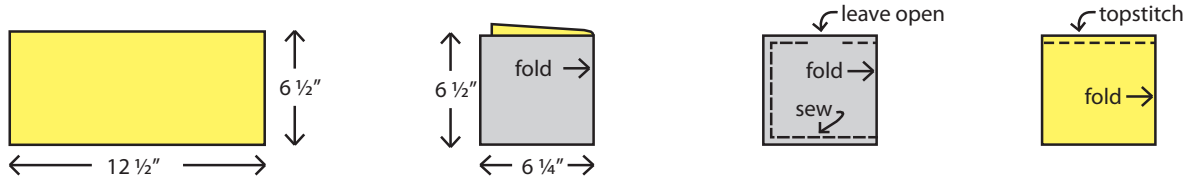


## BASIC DUAL POCKET FOR WHEELCHAIR QUILTS

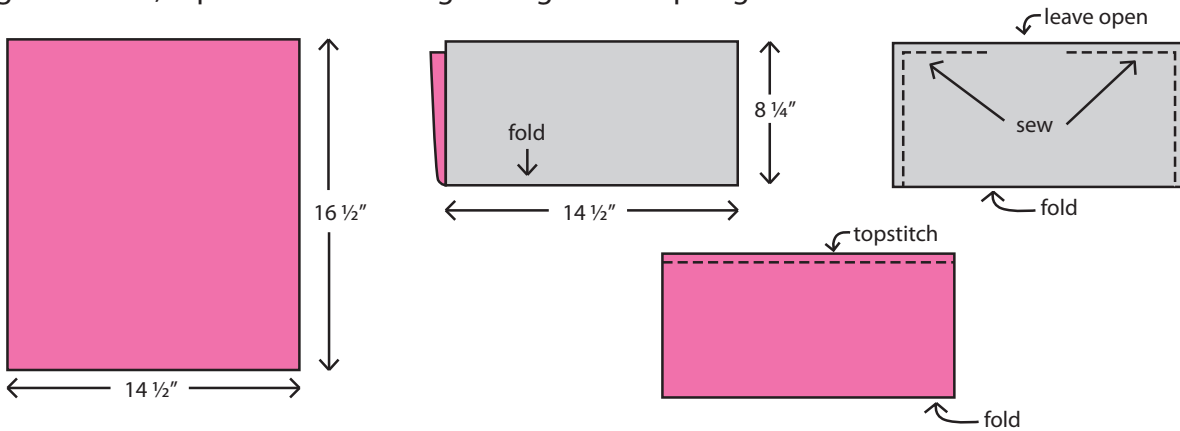
**SMALL POCKET** (for tissues, phone, etc.) Use regular quilting cotton; finished size is 6" wide by 6" tall

- Cut one rectangle of fabric 12 ½" wide by 6 ½" tall.
- Fold in half, right sides together, so that it's 6 ¼" wide by 6 ½" tall.
- Sew ¼" seam on three open sides, leaving a 3" opening for turning along top edge.
- Turn right side out, topstitch ⅛" from edge along entire top edge to close it.



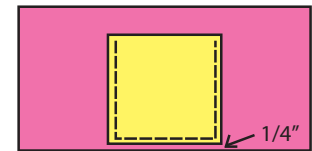
**LARGE POCKET** (for keeping hands warm) Use flannel for warmth; finished size is 14" wide by 8" tall

- Cut one rectangle of flannel 14 ½" wide by 16 ½" tall.
- Fold in half, right sides together, so that it's 14 ½" wide by 8 ¼" tall.
- Sew ¼" seam on three open sides, leaving a 3" opening for turning along top edge.
- Turn right side out, topstitch ⅛" from edge along entire top edge to close it.



### ATTACHING THE SMALL POCKET TO THE LARGE POCKET

- Center small pocket (with topstitched edge at top) horizontally on large pocket, with bottom edge of small pocket ¼" above bottom edge of large pocket.
- Topstitch small pocket to large pocket along three sides, leaving top edge open. Backstitch at beginning and end.



### ATTACHING THE FINISHED POCKET ASSEMBLY TO THE QUILT

- Center finished pocket assembly on quilt, with top edge of large pocket about 6" from top edge of quilt.
- Sew ⅛" from top and bottom edges of large pocket. Backstitch at beginning and end.

